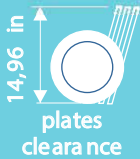




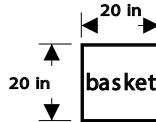
- Pass-through dishwasher;
- Stainless steel construction 18/10 AISI 304;
- Wash cycle time: 2'-3'-4' minutes;
- Linear/Corner version;
- Soft touch electronic control panel;
- Temperature's electronic display;
- Cycle start at hood closing;
- Stainless steel lower and upper rotating wash arms;
- Stainless steel lower and upper rotating rinse arms;
- Double skin self-washing slanted tank with rounded edges;
- 2 integral tank filters;
- Rinse aid dispenser;
- Detergent pump;
- Automatic tank loading;
- Hood opening safety device;
- Thermocontrol: device which guarantees the selected temperature for every rinsing cycle even in case of non-stop work;
- Security thermostat;
- Certifications: UL, UL Sanitation;

SIZE:  
24,40x30,12xH57,48 inch  
Cycle period: 2'-3'-4' minutes  
Capacity per hour:  
Baskets/H 30/20/15  
Dishes/H : 540/360/270  
Dishes per basket 12÷18

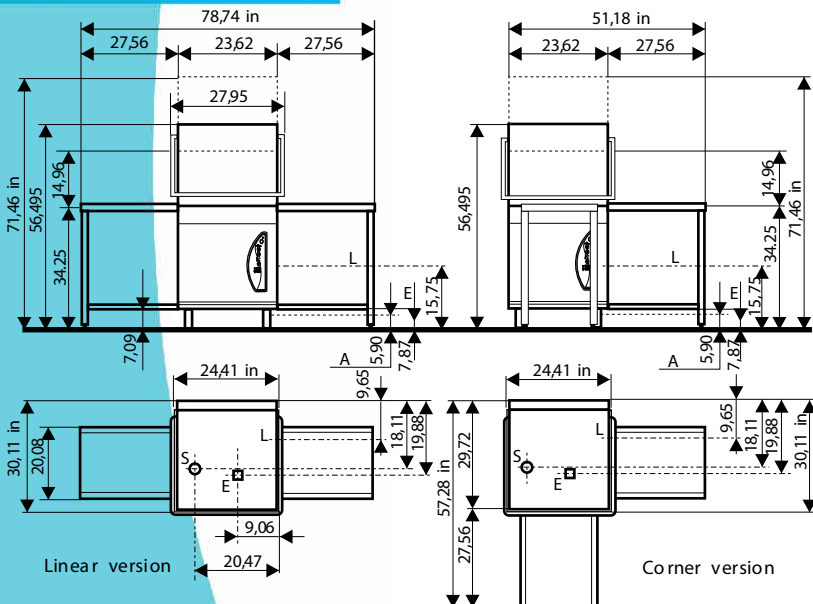


# L21-ek

Accessories:  
2 baskets for dishes;  
1 generic basket;  
2 cutlery containers;



OPTIONS  
• Tank drain unit with filter,  
• Lateral entry/exit table with lower table 27,56 inch



Specifications	L21-ek	
VOLTAGE	208 V1ph 60Hz	V
WASHING PUMP	650	W
WASH TANK ELEMENTS	2000	W
RINSE TANK ELEMENTS	6000	W
TOTAL RATING	6650	W
MAX CURRENT INTENSITY	34	A
PLATES CLEARANCE	14,96	inch
WORK HEIGHT	34,25	inch
TANK CAPACITY	21	Lt.
BOILER CAPACITY	6	Lt.
PUMP DELIVERY	260	Lt./min
WATER CONNECTION	131	°F
WATER CONSUMPTION PER CYCLE	2,40	Lt.
WATER CONSUMPTION PER HOUR	52	Lt.
WATER PRESSURE	20±5	psi
WATER HARDNESS	5 ÷ 10	TH(°F)
RINSING WATER TEMPERATURE	179 ÷ 194	°F
WATER INLET	3/4"	"G
WATER OUTLET	1"1/4	"G
NET WEIGHT	120	Kg
GROSS WEIGHT	130	Kg
PACKING SIZE	l 28,74xL33,86xH56,30	inch
NOISE LEVEL	<60	dB(A)

The manufacturer reserves the right to make modifications of materials and models without warning.