

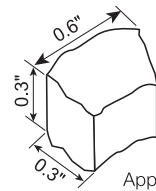


Brema Ice Machines add a touch of elegance to your establishment. Known and trusted in the industry for high-quality construction and consistent production, they are the most reliable choice for all your ice production needs.

Ice Pebbles



Brema Pebble Ice Machines are preferred in bars, pubs, restaurants and night clubs for easy-melting ice. The combined action of an auger and extruder continuously produces ice for a consistent supply. The reliability of the inner working components ensures low operating costs and high efficiency ice production.



Pebble Ice, 91% Dry

Approximate Size

Standard Features



1L water = 1kg ice



AISI 304 Stainless steel evaporator



Air cooling system



Easy cleanable internal rounded surfaces



Dust-proof water basin



RoHS Free



Electromechanical operation



ON/OFF switch



Automatic water charge



HFC Free
HC R290 Refrigerant Gas

TB Series

Standard Features Included



Adjustable stainless steel feet



HCFC-Free insulated storage



Retractable insulated door



TB852A HC



TB1404A HC



Brema Ice Machine Cleaner

For use with Brema Ice Machines to completely descale and clean interior and exterior surfaces and components. Colorless and odorless, powdered agent. Sold separately.

TM Series

Standard Features Included



1 m³ = 550 kg of ice



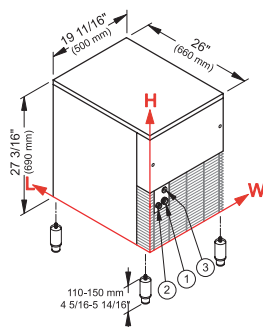
Frame in INOX



TM140A HC



BIN110



Adjustable feet 4 5/16" – 5 14/16"

TB852A HC

120V, 500W, 4A

216 lbs

207 lbs

44 lbs

26" x 19.5" x 27"

130 lbs

28.25" x 21.5" x 35"

148 lbs

Power

Compatible With

Production/24h*

Production/24h**

Bin Capacity

Dimensions (L x W x H)

Net weight

Ship Dim. (L x W x H)

Ship weight

TB1404A HC

115V, 680W, 6A

333 lbs

297 lbs

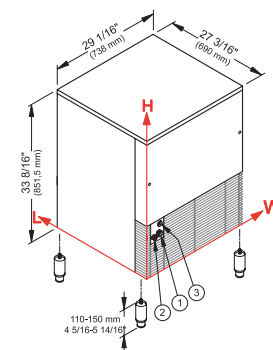
88 lbs

27.2" x 29.1" x 33.5"

130 lbs

29" x 30.75" x 40"

220 lbs



Adjustable feet 4 5/16" – 5 14/16"

- ① WATER IN: 3 14/16" – 6 4/16" – 3/4"
- ② WATER OUT: 1 14/16" – 5 15/16" – 15/16"
- ③ ELECTRICAL CONNECTIONS: 3 7/16" – 9 1/16"

- ① WATER IN: 4 6/16" – 6 14/16" – 3/4"
- ② WATER OUT: 1 15/16" – 5 2/16" – 15/16"
- ③ ELECTRICAL CONNECTIONS: 6 2/16" – 8 5/16"

TM140A HC

Power

110V, 1000W, 9A

Compatible With

BIN110

Production/24h*

304 lbs

Production/24h**

287 lbs

Bin Capacity

—

Dimensions (L x W x H)

22.5" x 22" x 23.5"

Net weight

139 lbs

Ship Dim. (L x W x H)

26.25" x 25.25" x 31.75"

Ship weight

163 lbs

Coming Soon

BIN110

Power

—

Compatible With

TM140A HC

Production/24h*

—

Production/24h**

—

Bin Capacity

220 lbs

Dimensions (L x W x H)

32" x 22" x 39.5"

Net weight

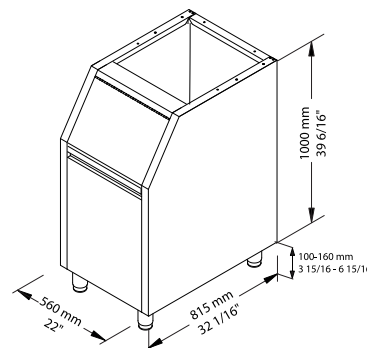
117 lbs

Ship Dim. (L x W x H)

34.5" x 24.5" x 46.25"

Ship weight

143 lbs



Adjustable feet 3 15/16" – 6 15/16"

*Ambient Temperature
21°C (70°F) / Water 10°C (50°F)
**Ambient Temperature
32°C (90°F) / Water 21°C (70°F)



Intertek



Energy Verified

Warranty
3 years parts & labor,
5 years on the compressor