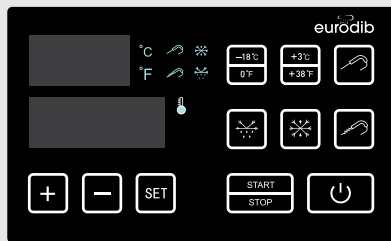


## Blast Chillers



### Rapid Cooling Rapid Freezing

- Ensures food safety
- Maintains food quality
- Accelerates food preparation

### EcoBlast320

### EcoBlast620

#### POWER

110-120V, 660W, 6.4A,  
1HP, 5-15P

110-120V, 1350W, 12.5A,  
2HP, 5-15P

#### REFRIGERATED POWER

2559 BTU/hr, 660W

5118 BTU/hr, 1300W

#### REFRIGERANT GAS

R290

R290

#### EXTERIOR DIM. (L x W x H)

29.5" x 29.5" x 35"

31" x 30.5" x 61.5"

#### CHAMBER DIM. (L x W x H)

24.5" x 16" x 14.75"

25.5" x 16" x 41"

#### TRAY CAPACITY (L x W)\*

5 x (12.8" x 20.8")

10 x (12.8" x 20.8")

#### TRAY HEIGHT

1.6" - 2.6"

1.6" - 2.6"

#### TOTAL VOLUME CAP.

3.4 Cu Ft (96 L)

9.75 Cu Ft (276 L)

#### CHILLING CAPACITY



90°C to 3°C (197°F to 37°F)  
= 14 kg (31 lb) 90 mins

90°C to 3°C (197°F to 37°F)  
= 40 kg (88 lb) 90 mins

#### FREEZING CAPACITY



90°C to -18°C (197°F to 0°F)  
= 12 kg (26.5 lb) 240 mins

90°C to -18°C (197°F to 0°F)  
= 35 kg (77 lb) 240 mins

#### NET WEIGHT

152 lb

276 lb

#### SHIP DIM. (L x W x H)

35.5" x 35.5" x 40.25"

35.5" x 35.5" x 69"

#### SHIP WEIGHT

201 lb

335 lb

\* Trays included

Ambient temperature of 86 °F (30 °C); Evap. -40 °F/°C; Cond. 104 °F (45 °C); 65 % Relative humidity



\* complies with HACCP standards



Intertek  
4003219



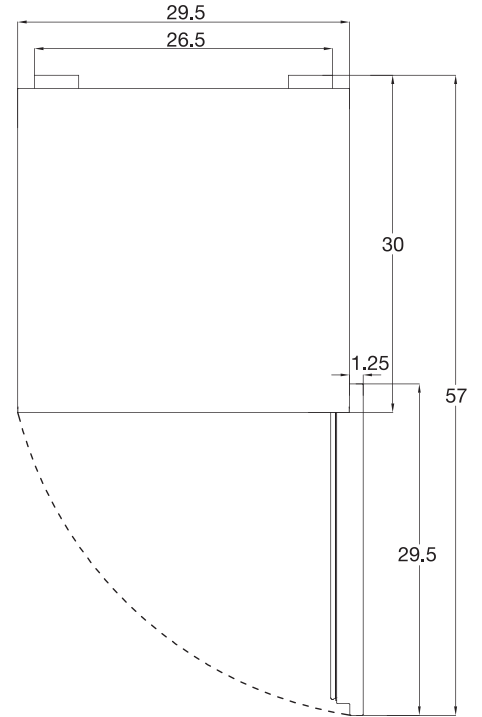
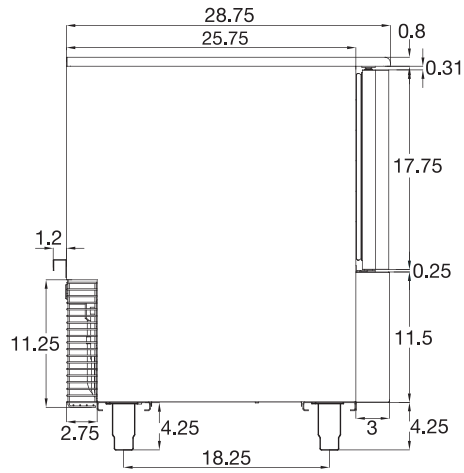
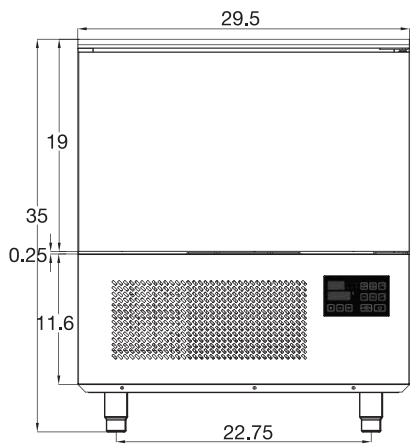
Intertek



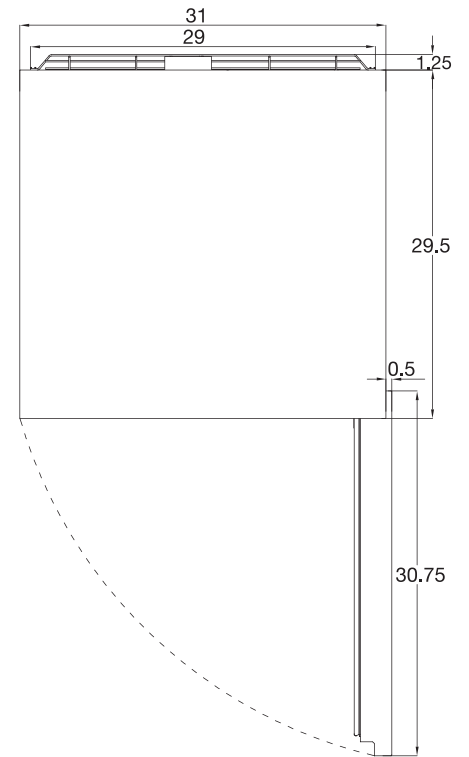
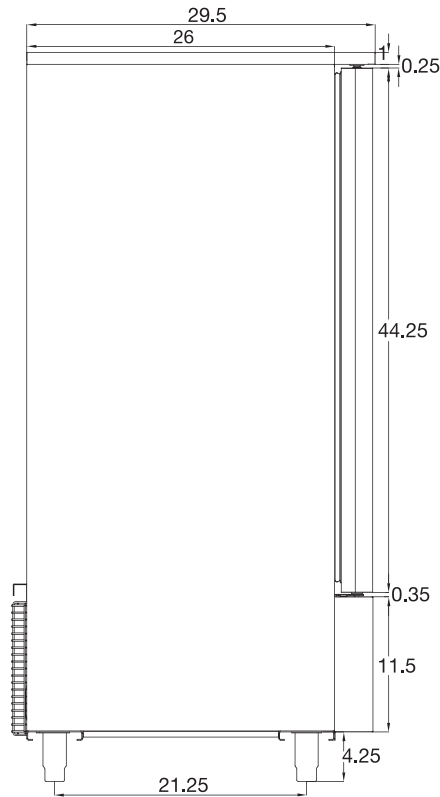
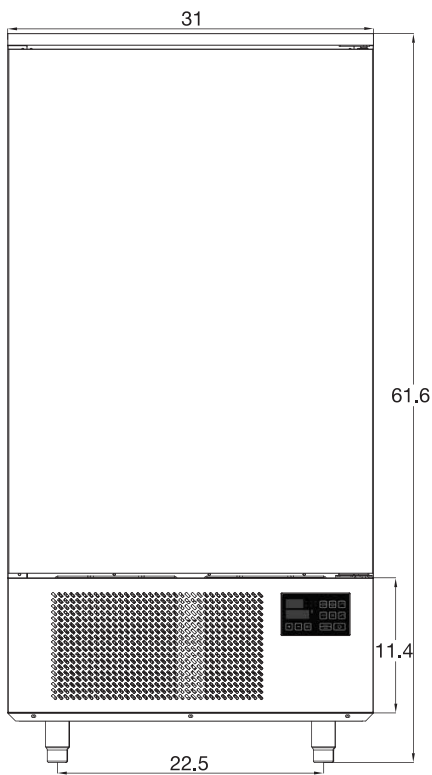
5-15P

# Blast Chillers

**EcoBlast320**



**EcoBlast620**



Dimensions expressed in inches