

## BRERA WINE DISPLAY

### FEATURES:

- Ideal for champagne, white and red wines
- Compact size and elegant design
- Interior TOUCH digital control panel
  - + Temperature display
  - + Temperature / Mode selection



- (2) Refrigeration modes
  - + Ventilated: set temperature for entire cabinet
  - + Static: 5 temperature zones for different types of wine (see diagram on reverse)
- Interior LED light\*
  - + Standard cold light (6000K)
  - + Option warm light (2700K)
- Freestanding or built-in installation
- High-performance refrigeration system with a low-noise compressor

\* Colour options available upon request

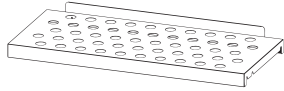
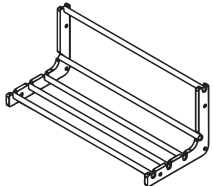


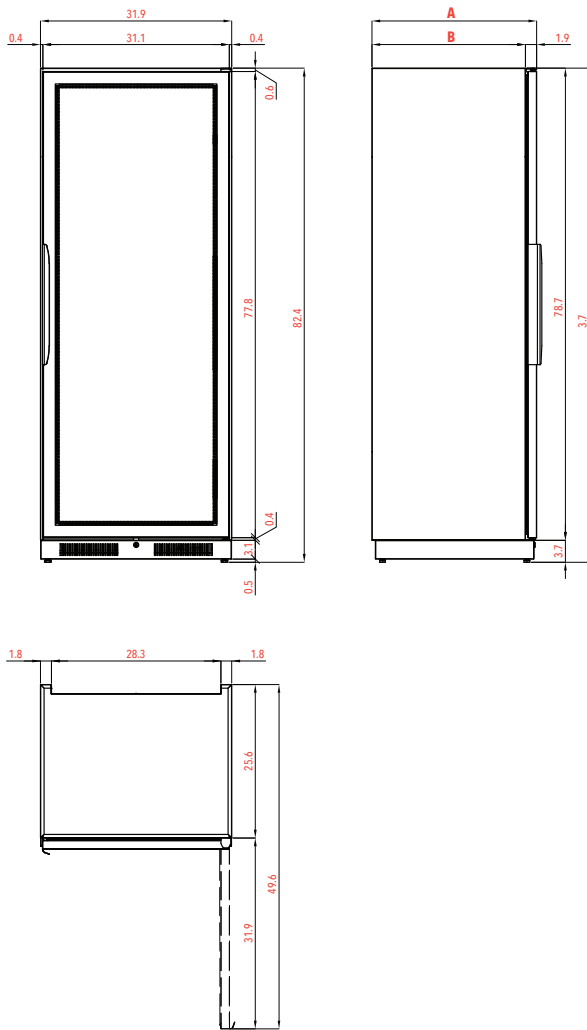
Glossy black trim and all-glass door frame the cabinet for a perfect display

LED lights reflect off the interior polished steel surfaces, illuminating the bottles inside



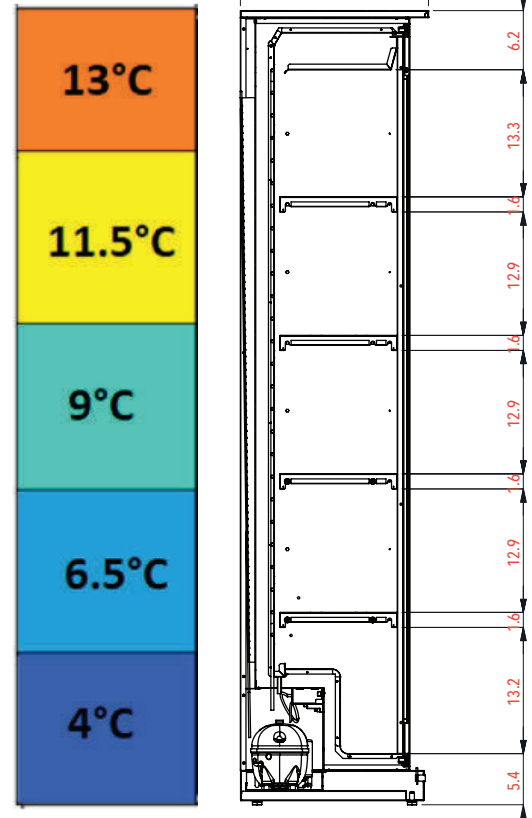
### ACCESSORIES (sold separately)

		WDS/121	WD7/121
	Stainless steel shelf Bottles capacity: 24	60001100	60001105
	Stainless steel tubular shelves Bottles capacity: 24	60001110	60001155



### SHELF SPACING

### STATIC MODE TEMPERATURE DISPERSION



	WD5/121	WD7/121
A	19.6"	27.4"
B	17.7"	25.6"

	WD5/121	WD7/121
POWER	115V, 5-15P	115V, 5-15P
MAX ABSORBED POWER**	515W	505W
REFRIGERATED POWER***	305W	305W
SHELVES	5	5
BOTTLE CAPACITY (CHAMPAGNE/STANDARD)	104/162	176/252
TEMPERATURE*	4 - 16°C 39.2 - 60.8°F	4 - 16°C 39.2 - 60.8°F
REFRIGERATION TYPE	Static/Ventilated	Static/Ventilated
GAS	R290	R290
EXTERNAL DIMENSIONS (L X W X H)	81 x 50 x 210 cm 19.7" x 31.9" x 82.7"	81 x 70 x 210 cm 27.6" x 31.9" x 82.7"
DEFROSTING SYSTEM	Automatic by pause	Automatic by pause
NOISE LEVEL OF CONDENSING UNIT	<43dba	<43dba
CLIMATIC CLASS	4	4

### NOTES:

- Doors are not reversible
- Built-in installation requires 11.8" above and 3.9" behind the unit for proper ventilation
  - Internal fittings not included

\* Ambient temperature 26°C (78.8°F)

\*\* Evap. -10°C (14°F) Cond. 45°C (113°F)

\*\*\* ASHARE: Evap. -23.3°C (-9.94°F) Cond. 54.4°C (129.9°F)



**WARRANTY: 1 YEAR PARTS AND LABOR**

V1.02.2023



US 334 Cornelia St., Suite #272, Plattsburgh, NY 12901 | CAN 120 rue de la Barre, Boucherville, QC, J4B 2X7  
1 888 956 6866 | customerservice@eurodib.com | www.eurodib.com