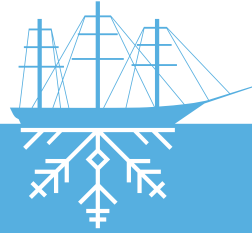


# RESOLUTE

## ICE SYSTEMS



### ICE DISPENSING BIN

- Efficient, no-touch ice dispensing
- Convenient & hygienic
- Stainless steel construction
- Adjustable feet (+ 20mm, 0.8")

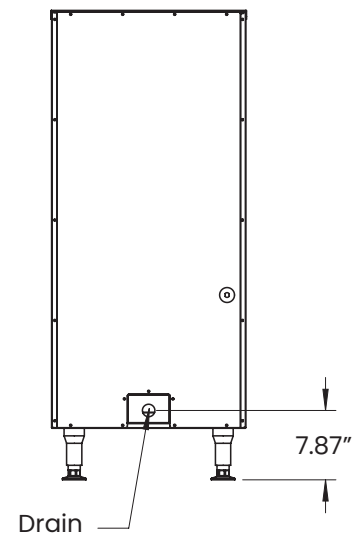
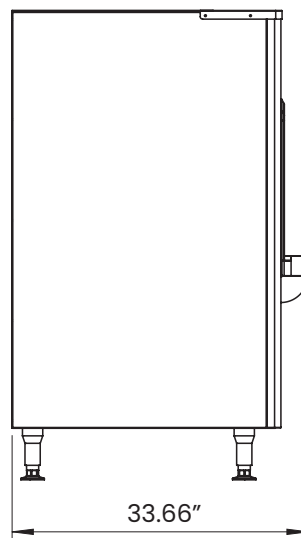
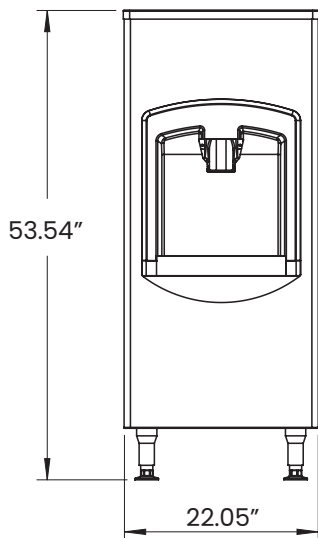
MODEL:	IDB110
POWER	110V, 210W, 2A, 5-15P
STORAGE CAPACITY	130 lbs
COMPATIBLE WITH	ICH350
DIMENSIONS	22" L x 33.7" W x 53.3" H
NET WEIGHT	170 lbs
SHIP DIMENSIONS	24" L x 35.8" W x 55.5" H
SHIP WEIGHT	183 lbs



\* Includes ice dispensing bin only. Ice machine sold separately.



**WARRANTY:**  
**ONE YEAR PARTS & LABOR**



V1.06.2023



US 334 Cornelia St., Suite #272, Plattsburgh, NY 12901 | CAN 120 rue de la Barre, Boucherville, QC, J4B 2X7  
1 888 956 6866 | customerservice@eurodib.com | www.eurodib.com