



## Vegetable Slicer Cutter-mixer 7l/7.4qt, var. speed,1500w, nema 5-15p

ITEM # \_\_\_\_\_  
 MODEL # \_\_\_\_\_  
 NAME # \_\_\_\_\_  
 SIS # \_\_\_\_\_  
 AIA # \_\_\_\_\_



**602246 (DK70)**

Cutter Mixer, variable speed (300-3700 RPM), equipped with 7lt/7.4 quart stainless steel bowl with clear BPA-free lid, with bowl scraper, microtoothed blade rotor, stainless steel housing, 300-3300 RPM, 2 HP, 120v/60/1-ph, 15.0 amps.

### Short Form Specification

Item No. \_\_\_\_\_

Cutter Mixer, variable speed (300-3700 RPM), equipped with 7lt/7.4 quart stainless steel bowl with clear BPA-free lid, with bowl scraper, microtoothed blade rotor, stainless steel housing, 300-3300 RPM, 2 HP, 120v/60/1-ph, 15.0 amps.

### Main Features

- Emulsifier function (scraper) included as standard.
- All parts in contact with food are removable without the use of tools, completely dismountable and dishwasher safe.
- Pulse function to coarse chopping.
- Base fixed cover for a better handling.
- Delivered with:-7.4 qt stainless steel cutter bowl, transparent lid, scraper and microtoothed blade rotor.
- Capacity:-cutter mixer working capacity from 5.3 ounces (150 g) to 6.6 lbs (3.5 kg), for 50-150 meals per service.

### Construction

- Power: TRK70 - 1.3 HP.
- Stainless steel bowl has a high chimney to ensure high productivity also when processing liquids (75% of the nominal capacity).
- IPX5 (IP55) flat panel touch-control, watertight panel.
- Compact and portable design.
- Asynchronous industrial motor with no brushes for high reliability and quiet functioning, stainless steel motor shaft.
- All blades (available on request) are made in stainless steel and dishwasher safe.
- Improved ventilation system to manage smoothly heavy duty use.
- Reinforced feet to withstand the repeated handling of the unit.
- Food processing at 10 variable speeds: 300-3700 rpm.

### Included Accessories

- 1 of Lid and bowl scraper for 7.4 qts PNC 650104 (7 L) cutter mixer
- 1 of Microtoothed blade rotor for 7.4 qts (7 L) cutter mixer PNC 653584
- 1 of Stainless steel bowl for 7.4 qts (7 L) cutter mixer PNC 653593

### Optional Accessories

- MICROTOOTH BLADE-EMULS-7.4qt CUTTERMIXER PNC 650041
- Lid and bowl scraper for 7.4 qts (7 L) cutter mixer PNC 650104
- Smooth blade rotor for 7.4 qts (7 L) cutter mixer PNC 653583
- Microtoothed blade rotor for 7.4 qts (7 L) cutter mixer PNC 653584
- Stainless steel bowl for 7.4 qts (7 L) cutter mixer PNC 653593
- SMOOTH BLADE ROTOR (EMUL)-7QT CUTTER-MIX PNC 653712

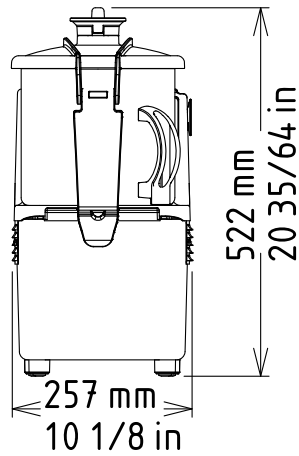
APPROVAL: \_\_\_\_\_

Vegetable Slicer  
Cutter-mixer 7l/7.4qt, var.speed,1500w, nema 5-15p

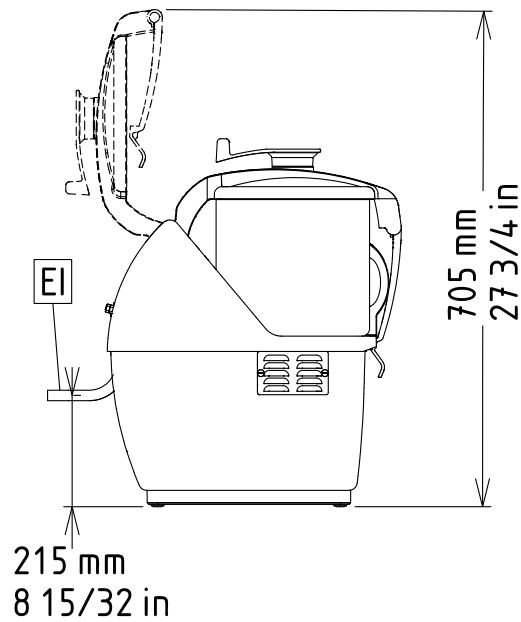


# Vegetable Slicer Cutter-mixer 7l/7.4qt, var. speed, 1500w, nema 5-15p

Front

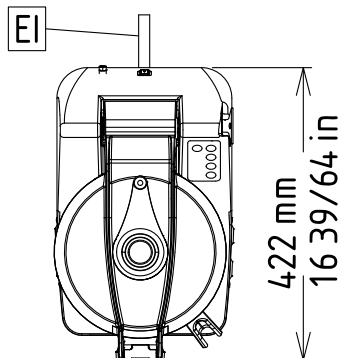


Side



EI = Electrical connection

Top



## Electric

### Supply voltage:

602246 (DK70)

110-120 V/1N ph/60 Hz

### Total Watts:

1.5 kW

### Plug type:

USA NEMA 5-15P

## Key Information:

### External dimensions, Width:

10 1/16" (256 mm)

### External dimensions, Depth:

16 5/8" (422 mm)

### External dimensions, Height:

20 9/16" (522 mm)

### Shipping width:

11 13/16" (300 mm)

### Shipping depth:

23 5/8" (600 mm)

### Shipping height:

21 5/8" (550 mm)

### Shipping weight:

60 lbs (27 kg)



**Vegetable Slicer  
Cutter-mixer 7l/7.4qt, var.  
speed,1500w, nema 5-15p**

Vegetable Slicer  
Cutter-mixer 7l/7.4qt, var.speed,1500w, nema 5-15p

The company reserves the right to make modifications to the products  
without prior notice. All information correct at time of printing.

2023.09.25